

# Walkera QR X350 PRO - GPS FPV RC Quadcopter C Дево F7



## QR X350 PRO

Best solution for aerial photography

## QR X350 PRO

Best solution for aerial photography

- Latest GPS control system
- 2KM Control Range & Video Range
- Flight time up to 25mins
- Equipped with Brushless Gimble



Basic version: remote control, long flight time, super stable aerial photography	FPV1 Pro version: FPV All in one solution High Cost Performance	FPV2 Pro version: FPV HD long range solution	WiFi version: Wifi HD remote image transfer
 <p>DEVO 10 control range: 2km Flight time: 25mins Standard set: G-2D Gimble</p>	 <p>FPV image range: 250m DEVO F7 control range: 1km Standard set: G-2D Gimble(w iLook)</p>	 <p>FPV image range: 1.5-2km DEVO 10 control range: 2km Optional: Fatshark goggle</p>	 <p>WiFi image range: 400M DEVO 10 control range: 2km</p>



Professional 10 channel  
Radio makes control range reach 2km



Equipped with professional gimble,  
support iLOOK / Gopro Hero3 /  
Sony (HDR-AS30V)



DEVO-M is a Multi-Axis control platform  
Designed for aerophotagrahy hobbyiest



High capacity battery makes  
flight time 25 mins



5.8Ghz image transmission range reach 2km



2.4G WiFi HD transmission  
image range reach 400m



## Latest GPS Control System Super Stable.

Adopt the Newest Core Processing Technology , When the Throttle Rocker Set Back To Middle Position , Copter

**Position hold**  
More Stable

**Operation**  
More Convenient

**Aerial**  
Easier



Throttle Rocker Set Back To Middle Position



Latest GPS Control System



## Longer Flight Time

Adopted large capacity lipo battery 5200mAh  
Easy maintenance , Safe and Reliable .  
Flight time up to 25mins.

**5200mAh**

**316grams**

**25mins**

3S Li-Po Battery

Convenience

Flight time

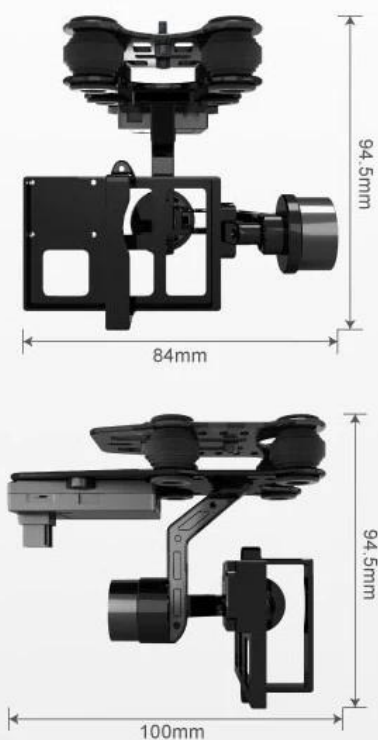




Li-po battery



High capacity battery,  
flying time is 25 Minutes.  
Easy and safe to charge!



QR X350 Pro equipped with  
professional G-2D brushless gimble



**QR X350 Pro Specs**

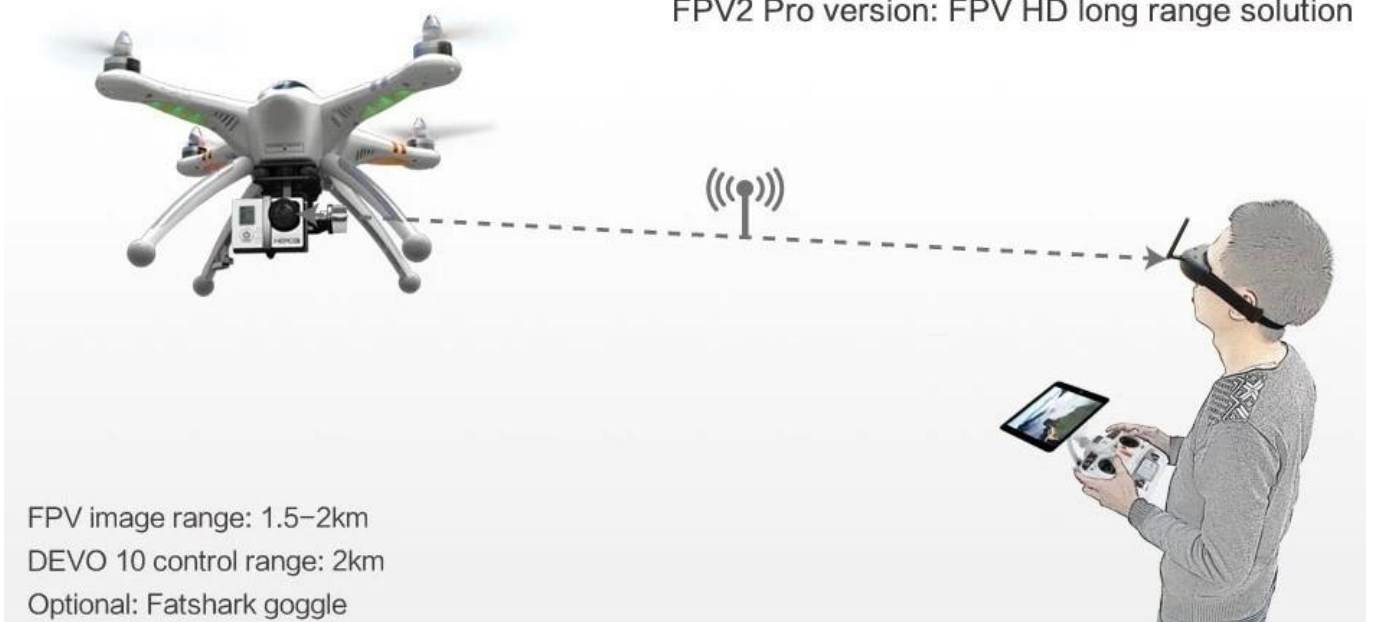
• Main Rotor Diameter: 556mm	• Length: 289mm
• Main Rotor Blade Length: 206mm	• Width: 289mm
• Brushless Motor spec: WK-WS-28-008A	• Height: 200mm

FPV1 Pro version: FPV All in one solution  
High Cost Performance



With DEVO F7, the live video range reach 250m, control range 1K.  
The iLOOK FPV camera can reach stability and high definition image transmission.

FPV2 Pro version: FPV HD long range solution



FPV image range: 1.5-2km  
DEVO 10 control range: 2km  
Optional: Fatshark goggle

WiFi version: Wifi HD remote image transfer



WiFi image range: 400M  
DEVO 10 control range: 2km



# DEVO 10

Professional 10 channel Transmitter  
Control range:2km



Control range: 2km



10 channel multifunctional settings



Helicopter and Airplane (Airplane for MultiRotor)



multi languages optional



both auto code binding and fixed code free settable



4 stick modes switchable



Telemetry function



USB update online





Specs	Main Rotor Diameter	556mm		
	Main Rotor Blade Length	232mm		
	Length x Width x Hight	289 x 289 x 205mm		
	Brushless Motor spec	WK-WS-28-008C		
	Brushless ESC spec	WST-15A(G/R)		
	Receiver	RX703 ( DEVO 7/10 )   RX703A ( DEVO 7/10/F7 )		
	Transmitter(option)	DEVO 7 / 10 / F7(5.8G)		
	Battery	11.1V 5200mAh LiPo		
	Flight time	25mins		
	GPS control system	DEVO-M		
	Control range	1km-2km		
	Video Range	500m-1km		
	Flying Weight	≤1350g		
	Brushless Gimble(option)	G-2D		
	5.8G camera(option)	iLook		
Charger & Battery Specs	Charger Input Voltage Range	100-240V		
	Current Output	0.8A		
	Current Input	15-18V $\approx$ 1A		
	Battery Compatible	7.4V / 11.1V		
	Battery Type	Lipo		
Transmitter Specs		DEVO 7	DEVO 10	DEVO F7
	Frequency	2.4GHz DSSS	2.4GHz DSSS	2.4GHz DSSS
	Encoder	7-channel micro computer system	10-channel micro computer system	7-channel micro computer system
	Output power	≤100mW	≤100mW	≤100mW
	Current drain	≤230mA ( 100mW )	≤200mA ( 100mW )	≤500mA ( 100mW )
	Output pulse	1000-2000mS ( 1500Ms Neutral )	1000-2000mS ( 1500Ms Neutral )	1000-2000mS ( 1500Ms Neutral )
	Sensitivity	-105dbm	-105dbm	-105dbm
	Control range	1km	1km-2km	1km
	Video range			500m-1km
Key Configuration	Verision	Configure		Remark
	Basic Version ( RTF1 )	With DEVO 7 / Battery / Charger		w/o iLook / G-2D gimble
	Basic Version ( RTF2 )	With DEVO 10 / Battery / Charger		w/o iLook / G-2D gimble
	Basic Version ( RTF3 )	With DEVO 10 / Battery / Charger / G-2D gimble		with Gimble / w/o iLook
	FPV Version ( RTF4 )	With DEVO F7 / Battery / Charger / G-2D gambler / iLook Camera		with Gimble / iLook



**Видео: [Walkera QR X350 PRO - GPS FPV RC Quadcopter C Дево F7](#)**

**[Кликните, чтобы узнать больше о нас.](#)**



**MORE PRODUCTS!**